



markem·imaje

a DOVER company



Continuous inkjet 9750 Expert Series



Tough applications. Expertly coded.

Today's ever more sophisticated manufacturing landscape and interconnected global supply chains demand advanced solutions. There are increasing requirements for 2D codes – datamatrix, QR, GS1 Digital Links etc. – which carry much more information than alternatives, in order to better meet growing expectations in terms of safety and traceability.

Meticulously engineered and qualified by the most modern methods, the 9750 Expert models' latest enhancements bring you:

- Numerous printing options including tiny vision camera-readable QR codes even on the smallest surfaces
- The robustness you need both in terms of equipment and inks to track, every one of your products regardless of extreme temperatures, humidity, dust or dry conditions.
- The market's first ever hybrid ink circuit which can print either standard or premium, contrasted codes, vastly increasing flexibility while cutting spare parts for those needing both options

Key benefits

Innovation

Challenging situations call for specialized solutions

- **Intelli'Inks** Enhanced 2D printing and tiny prints: GS1 Data Links and QRs only 5mm high, and 3 lines of text on small surfaces such as aspirin tubes
- **Challenging production conditions:** High humidity, dusty settings and lines speeds up to 120,000 units/h
- **Thermochromic printing even on the most difficult materials:** Code changes color at high temperatures to more visibly that sterilization has likely taken place

Sustainability

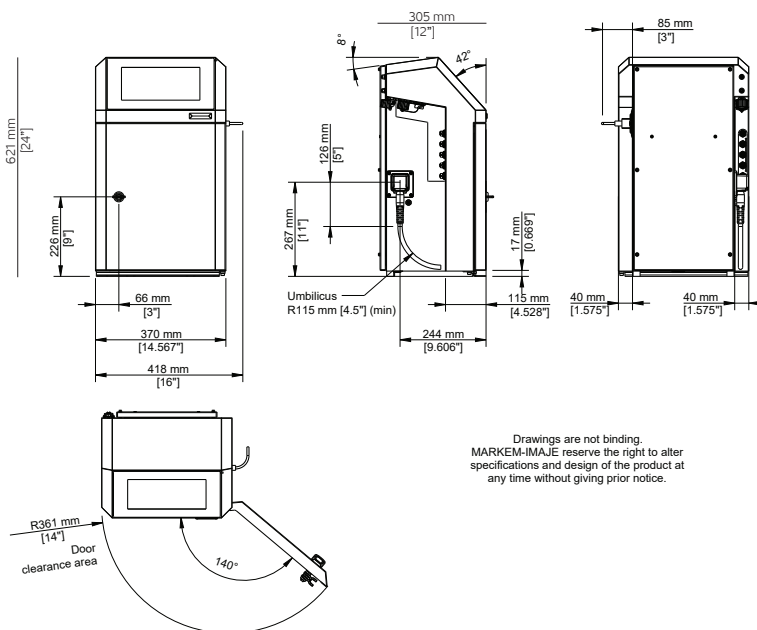
More sustainable solutions = Long-term value and lower TCO*

- **Intelli'Design** process and MEK-free inks help reduce consumable consumption and VOC* emissions by up to 50%, with further cuts possible when using CSM* option. Up to 35% reductions even with standard MEK inks when using CSM.
- **IntelliSwap** means you synchronize parts replacement and swap only individual items, not the entire block.
- **Market-leading service intervals** of up to 18,000 hours between major preventive maintenance

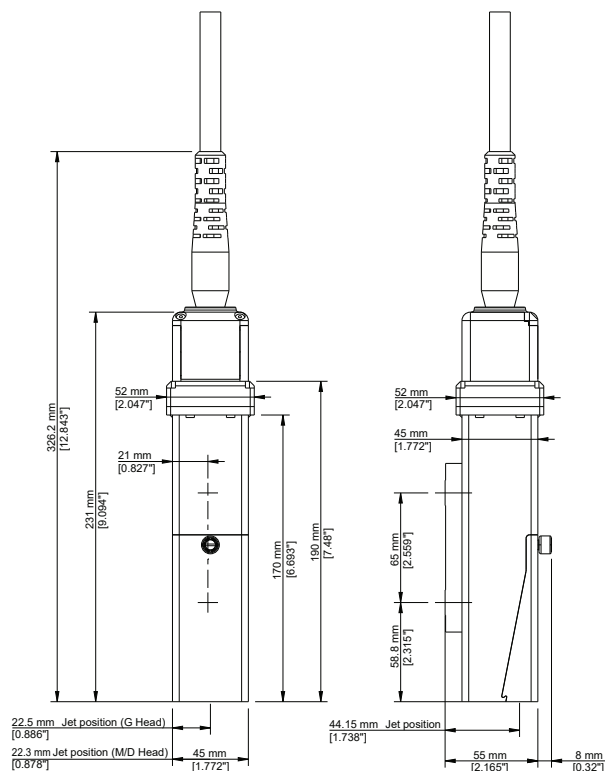
Digitalization

- Currently market's only provider of 24-pin interface customizable to accept any of the 70+ signals available to run lines
- M12 input/output connector and compatible with various industrial protocols, enabling easier and more seamless integration
- Our Connected Printer Services powered by a secure IoT platform**, allow for predictive analysis and to help maximize uptime AND achieve OEE* objectives

9750 Expert Series continuous inkjet specifications



Drawings are not binding. MARKEM-IMAJE reserve the right to alter specifications and design of the product at any time without giving prior notice.



Print features

Mono-jet printhead
 G head (printing resolution: 71 dpi)
 M head (printing resolution: 115 dpi)
 W head (printing resolution: 71 dpi)
 Up to 5 lines of print
 Print speed: up to 13 m/s
 Font height from 5 to 32 dots
 Character height: from 1.2 to 11.2 mm
 Wide choice of 1D and 2D barcodes: EAN 8/EAN 13/UPCA /UPCE barcodes, code 39, interleaved 2 of 5, Datamatrix, QRcode, Dotcode, GS1 standard compliant
 Wide choice of characters: Latin, Arabic, Cyrillic, Hebrew, Japanese, Chinese, Korean, etc.

Other characteristics

Weight: 25 kg
 Table-top or vertical mounting
 Ultra-flexible 3-meter umbilical cable
 Stainless steel cabinet and printhead case
 Dust/water ingress protection rating: IP56 requiring no plant air
 Operating temperature range: 3 32 °F to 122 °F (0 °C to 50 °C) depending on ink used
 Humidity: 10 to 90% non-condensing
 Electrical power supply: 100-240 V; 1,6 A; frequency 50/60 Hz; 30 W

Operations

WYSIWYG 10-inch capacitive color touchscreen: real-time display of remaining print capacity expressed in hours and number of messages; integrated assistance and alert system; simplified message printing and management; creation of user profiles; tracking of consumption and printer availability
 Message library (up to 1,000 messages)
 Automatic selection of fonts, depending on print speed and printhead/object distance
 Specific date management (rounding date function)
 Parent/child connectivity
 Jet Speed Control guarantees marking quality
 Printhead with embedded intelligence for high marking quality and reduced maintenance
 Broad range of dye and pigment inks: multi-use, high performance; alcohol based, ketone-free and MEK-free inks
 Sealed 0.6 and 0.8-liter consumable cartridges with fool proofing system
 Compact and modular ink circuit for better thermal management and controlled additive consumption
 100% front access modular ink circuit for a simplified preventive maintenance
 Quick connect/disconnect of accessories (photocell, alarm and encoder)
 Enhanced native connectivity including USB, Ethernet, serial and a configurable M12 connector for I/O

Remote services

Our intelligent self-support solution. Live helpdesk support with remote video capabilities
 Markem-Imaje Connected Printer Services powered by a secure IoT platform**

Options

Ultra-flexible 6-meter umbilical cable
 IP66 protection (plant air required)
 Consumable saving mode for up to -60% additive consumption: at 20 °C less than 3,5 cc/h for MEK-based ink or less than 2cc/h for MEK-free ink
 Printhead pressurization kit
 Air blade kit
 Many I/O possibilities including a configurable single point connector (24 pins)

Accessories

Wide range of accessories
 Printer supports: stands (stainless steel or aluminum), table or wall mounting brackets
 Printhead supports: stand (stainless steel) and choice of brackets
 Photocells
 Pigment ink shaker
 Encoders
 Alarm beacons (24 V)
 Set of pre-cabled connectors M12, Ethernet IP66

Software

Fully compatible with CoLOS® Version 6.4 Service Pack onwards
 Logo creation with CoLOS® Graphics software

*CSM: Consumable saving mode. TCO: Total cost of ownership. VOC: Volatile organic compounds. OEE: Overall equipment effectiveness. **Internet of things, please check availability in your country



markem·imaje
 a DOVER company

9, rue Gaspard Monge - B.P. 110
 26501 Bourg-lés-Valence Cedex France
 +33 (0) 4 75 75 55 00
 markem-imaje.com